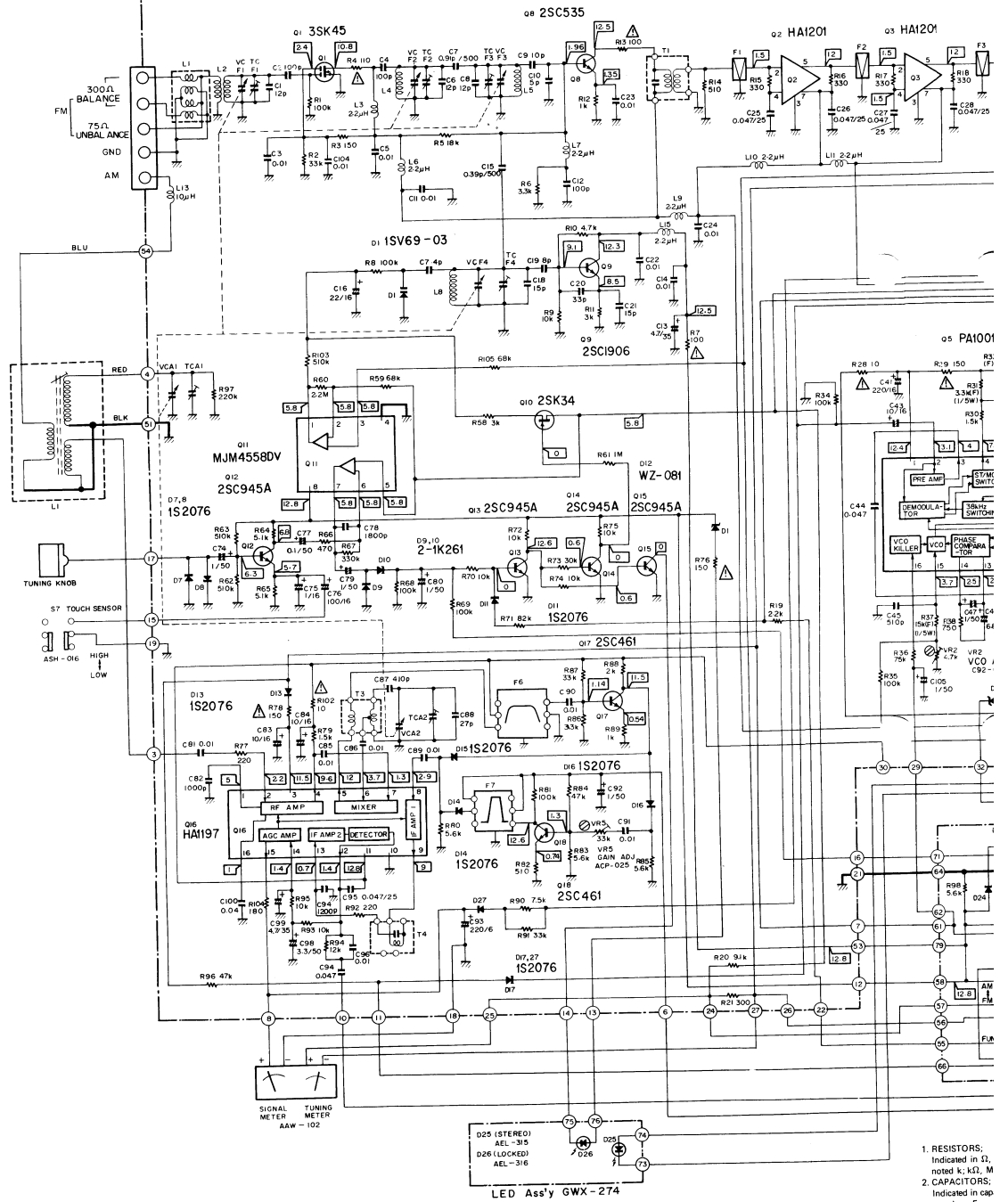
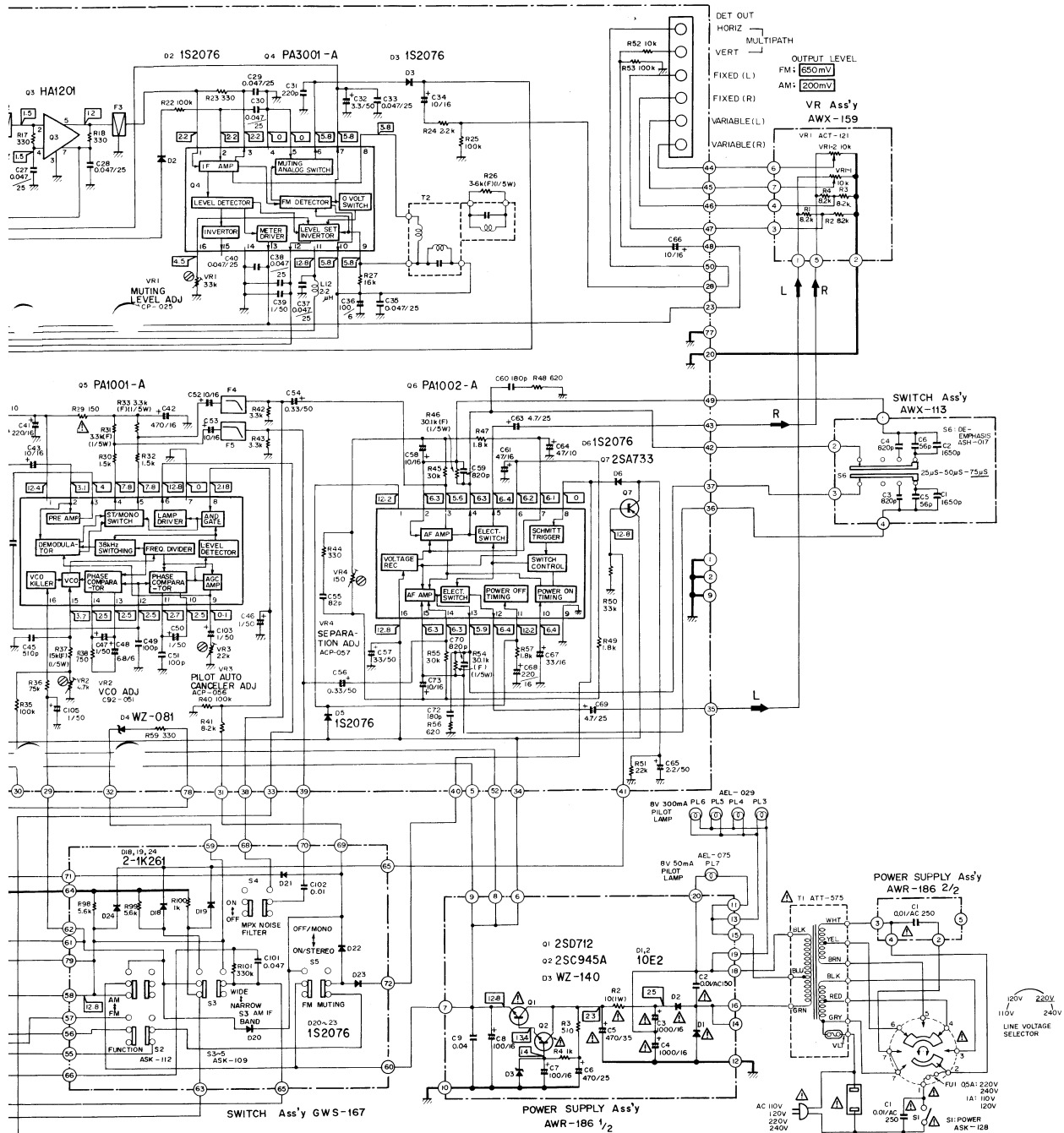


TX-7800 S S/G

TUNER Ass'y GWE-113



1. RESISTORS:
Indicated in R1, noted k, M, M
2. CAPACITORS:
Indicated in cap noted p, nF
Indication with capacitor.



1. RESISTORS:
Indicated in Ω , 1/4W, 5% tolerance unless otherwise noted; k, M, M Ω , (F); \pm 1%, (M); \pm 20% tolerance

2. CAPACITORS:
Indicated in capacity (μ F)/voltage(V) unless otherwise noted; μ F
Indication without voltage is 50V except electrolytic capacitor.

3. VOLTAGE, CURRENT:
 \square : DC voltage (V) at no input signal
 \square : Signal voltage at FM 400Hz, 75kHz DEV.

4. OTHERS:
 \square : Signal route.
 \odot : Adjusting point

SWITCHES:
S1 POWER
S2 FUNCTION
S3 AM IF BAND
S4 MPX NOISE FILTER
S5 FM MUTING/MODE
S6 DE EMPHASIS
S7 TOUCH SENSOR GAIN

ON - OFF
AM - FM
WIDE - NARROW
ON - OFF
OFF/MONO - ON/STEREO
25 μ S - 50 μ S - 75 μ S
HIGH - LOW

The underlined indicates the switch position.

This is the basic schematic diagram, but the actual circuit may vary due to improvements in design.

The Δ mark found on some component parts indicates the importance of the safety factor of the part. Therefore, when replacing, be sure to use parts of identical designation.

CONDITIONS FREQUENTLY MISTAKEN FOR MALFUNCTIONS

If the TX-7800 is not displaying its usual tip-top performance on account of the poor sound level or a great deal of noise, check the points listed below:

- Sound is not heard: Check the connections and operation procedure again, referring to the "Operating Instructions."

- Great deal of noise: Referring to the table below, diagnose and remedy the symptoms.

If you find it difficult to analyze the source of the noise, get in touch with your nearest Pioneer After-Service Center or Service Station.

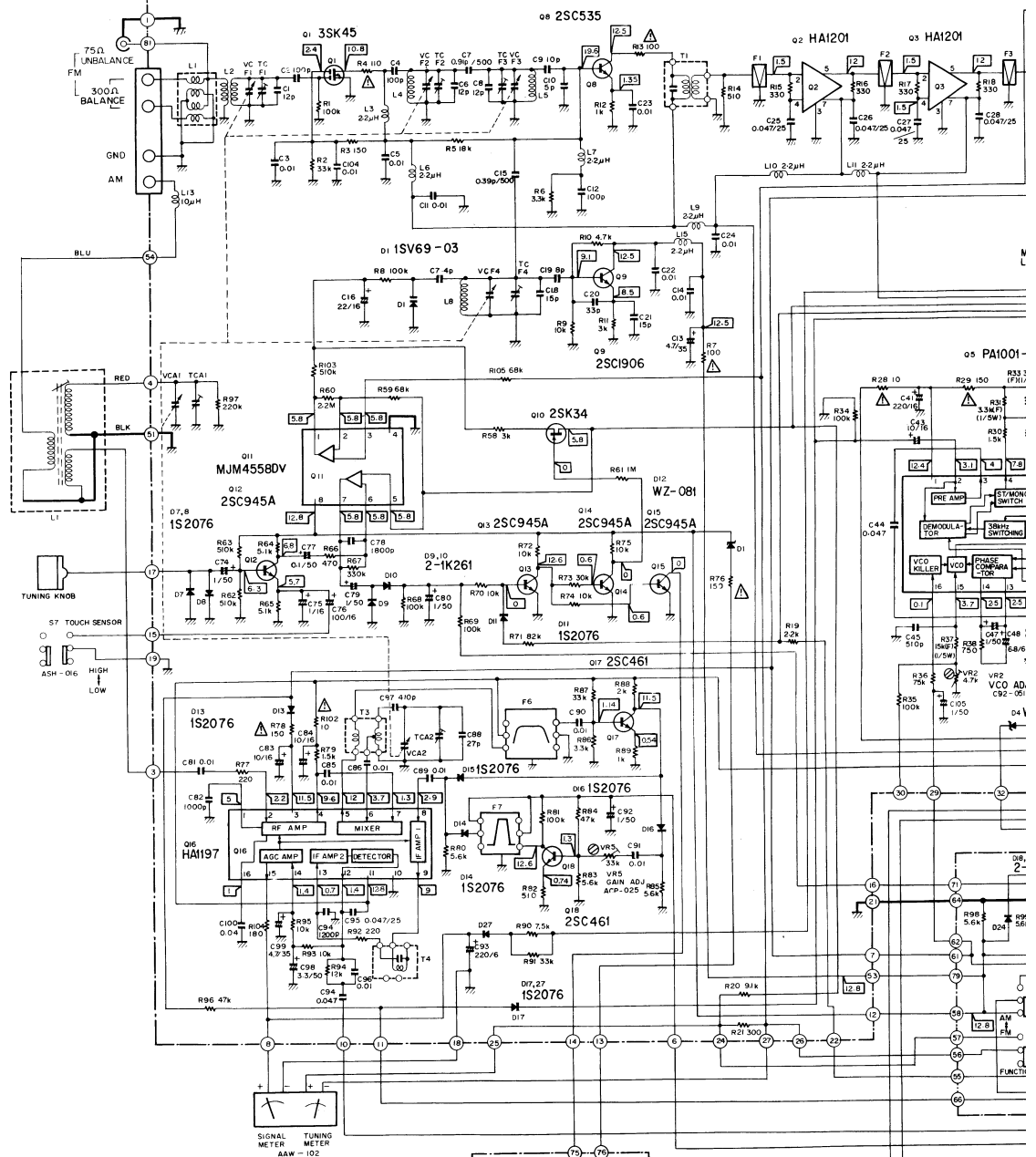
SYMPTOM	SUSPECTED SOURCE OF NOISE	DIAGNOSIS AND REMEDY
When you start to receive a broadcast, there is a continuous or intermittent noise like "jjjjj" or "zzzzz".	<ul style="list-style-type: none"> • Static or lightning. • Fluorescent lamp, motor or electrical appliance with thermostat may be in use in or near the house. 	If it often very difficult to remove the cause of the noise. However, in order to raise the level of the input signals above the noise level, set up a good FM antenna outside and make a complete grounding.
Sound is distorted and separation is downgraded even though the broadcasting station is nearby.	<ul style="list-style-type: none"> • There may be a TV/FM community antenna in use in the building. This is causing mismatching in the antenna input. • The radio signals are too strong. • The radio signals are being multipath-reflected. 	Check the distributor and attain the correct matching. Insert an attenuator into the antenna. Vary the location and direction of the antenna to find where there is least distortion (refer to "FM MULTIPATH DISTORTION" on page 10).
When you start to receive broadcasts, there is a humming sound or a "zzzzz."	<ul style="list-style-type: none"> • Ignition noise generated from automobile engines. • A high-frequency sewing machine or welding set is being used in the vicinity. 	In an area surrounded by hills, mountains or high buildings or in an area which is distant from the broadcasting station, the FM input signals will be weak and so the tuner's built-in noise control circuit (limiter) will not work and the noise will increase. Stop using the simple antenna and set up an FM outdoor antenna having a great many director elements.
The amount of noise is higher when listening to an FM stereo program than when listening to a mono broadcast.	<ul style="list-style-type: none"> • This is because with FM stereo broadcasts the service area is about half that of ordinary mono broadcasts. 	In order to increase the antenna input of the radio signals, erect an exclusive FM outdoor antenna when listening with the indoor T-type antenna.

Handling Precautions of the touch tuning system

- If receipt of the broadcasting wave is cut off while the power is connected to this tuner, the lock may be lost even after recovery of the wave. If this should happen, readjust the tuning. If the power is cut off and then reconnected again by a digital timer or something similar, as in the case of unattended recording, the relocking circuit will function normally.
- If the tuning knob is adjusted while wearing gloves, the FM LOCKED indicator may not go out. This is because the hand is insulated from the knob. In such a case, remove the glove, and readjust.
- The FM LOCKED indicator may not be lighted at some locations. This means that the tuner is being influenced by the household power line. Change the installed location, height and/or routing of the power cord, and the indicator will operate normally.

TX-7800 HG

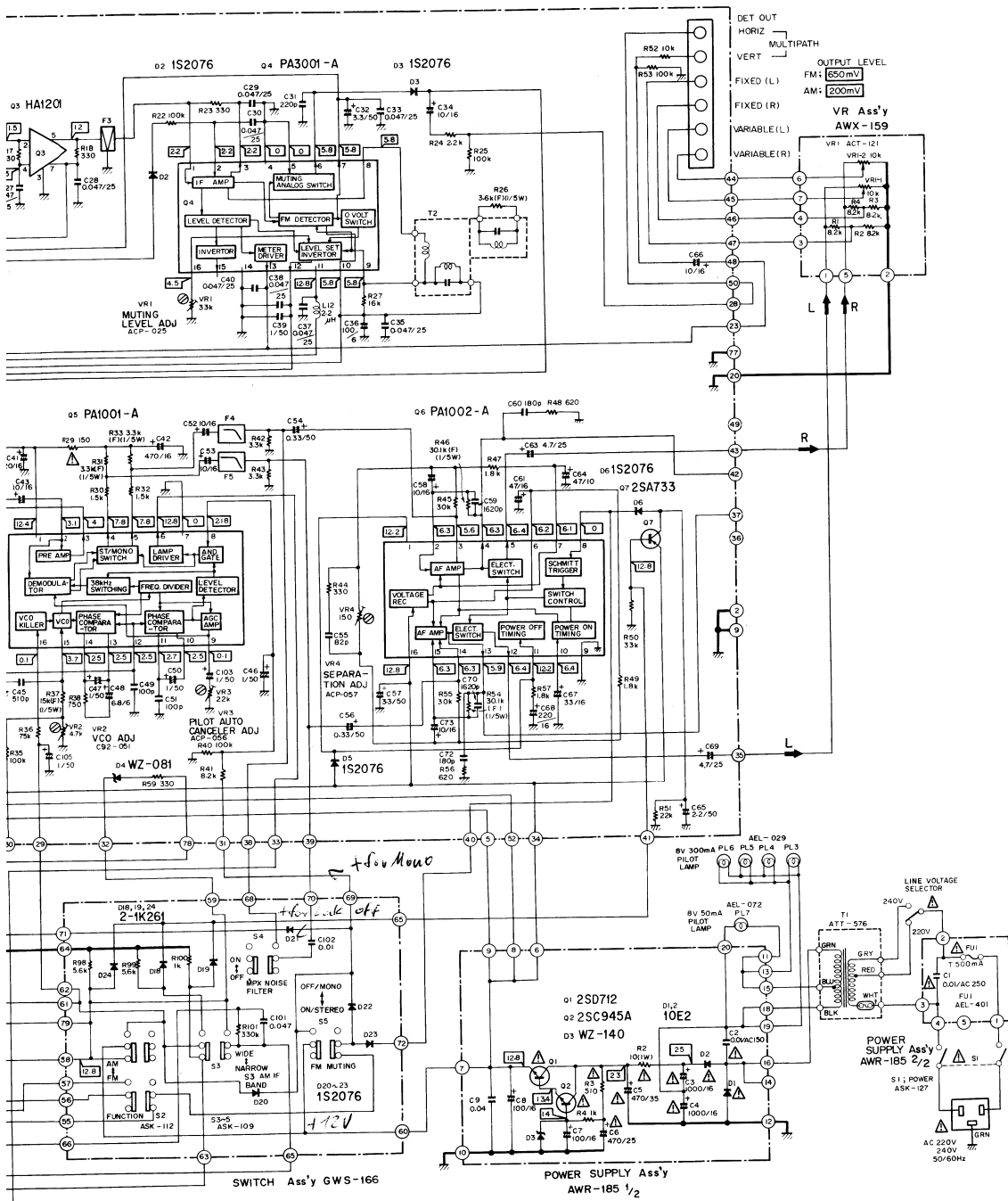
TUNER Ass'y GWE-112



1. RESISTORS:
Indicated in Ω, 1/4
noted k; kΩ, M; MΩ
2. CAPACITORS:
Indicated in capacitance
noted p, pF
Indication without a
capacitor.

Handwritten note: $2.2\mu F/50V$

Handwritten note: demit Fangschaltung erst



1. RESISTORS:
Indicated in Ω, 1/4W, ±5% tolerance unless otherwise noted. k, K; M, MΩ; (F); ±1%; (M); ±20% tolerance

2. CAPACITORS:
Indicated in capacity (μF)/voltage(V) unless otherwise noted. p, pF
Indication without voltage is 50V except electrolytic capacitor.

3. VOLTAGE, CURRENT:
⊖: DC voltage (V) at no input signal
mV: Signal voltage at FM 400Hz, 75kHz DEV.

4. OTHERS:
→: Signal route.
⊗: Adjusting point

SWITCHES:
S1 POWER
S2 FUNCTION
S3 AM IF BAND
S4 MPX NOISE FILTER
S5 FM MUTING/MODE
S7 TOUCH SENSOR GAIN

ON - OFF
AM - FM
WIDE - NARROW
ON - OFF
OFF/MONO - ON/STEREO
HIGH - LOW

The underlined indicates the switch position.

This is the basic schematic diagram, but the actual circuit may vary due to improvements in design.

The Δ mark found on some component part indicates the importance of the safety factor of the part. Therefore, when replacing, be sure to use parts of identical designation.

idbuug aort verspotet nach Einschalten einsetzt